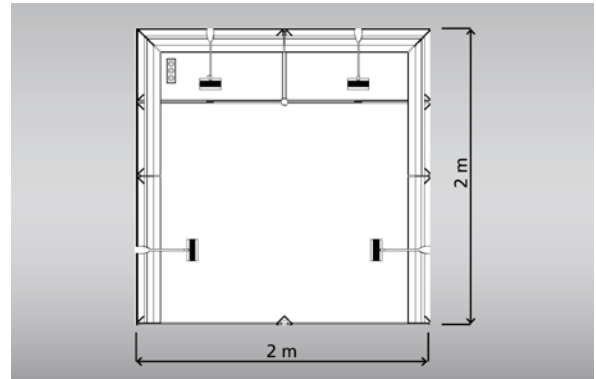
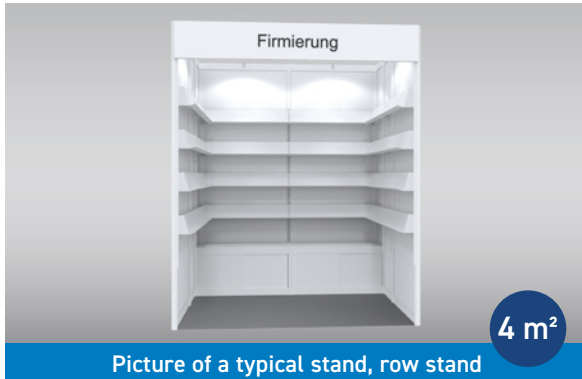




# COMPLETE STANDS

## Small stand classic S (4 m<sup>2</sup>)



### Our services

- | **Partition wall system**, 100x250 cm (WxH), white (other colours at additional price)
- | **1 Logo or 1 Lettering** (Futura, dark grey), 10 cm high, max. 25 signs
- | **Fascia**, 30 cm high, white
- | **Bookshelves**, white
- | **Platforms with sliding doors**, white (please order door lock separately)
- | **Lighting**, Long-arm spotlight
- | **Needle-felt floor covering** anthracite, 3000
- | **Triple socket** (The power connection will be charged separately and is mandatory)

### Additional services

Depending on the registered size of your stand, you will receive a number of free exhibitor passes (2 passes) and can register events for the Leipzig liest reading festival (according to area key 1 event). You can find out how many in the Special Conditions of Participation or on page 24.

Sample quote	Registration by 10.09.2023 (Early-bird)	Registration from 11.09.2023
Trade fair rental incl. stand construction (4 m <sup>2</sup> )	€ 760.00	€ 844.00
AUMA fee	€ 2.40	€ 2.40
Electrical connection (mandatory)	€ 178.00	€ 178.00
Communication flat rate (i.e. mandatory entry in the exhibitor directory)	€ 93.00	€ 93.00
Free exhibitor passes (for the main exhibitor according to Stand size + one pass for each co-exhibitor)	2 passes	2 passes
Co-exhibitor fee, where applicable		
Leipzig liest fee 1, where applicable		
<b>Total costs</b>	<b>€ 1,033.40</b>	<b>€ 1,117.40</b>

All prices plus VAT.